

# NB2879A

## Low Power, Reduced EMI Clock Synthesizer

The NB2879A is a versatile spread spectrum frequency modulator designed specifically for a wide range of clock frequencies. The NB2879A reduces ElectroMagnetic Interference (EMI) at the clock source, allowing system wide reduction of EMI of all clock dependent signals. The NB2879A allows significant system cost savings by reducing the number of circuit board layers, ferrite beads and shielding that are traditionally required to pass EMI regulations.

The NB2879A uses the most efficient and optimized modulation profile approved by the FCC and is implemented by using a proprietary all digital method.

The NB2879A modulates the output of a single PLL in order to “spread” the bandwidth of a synthesized clock, and more importantly, decreases the peak amplitudes of its harmonics. This results in significantly lower system EMI compared to the typical narrow band signal produced by oscillators and most frequency generators. Lowering EMI by increasing a signal’s bandwidth is called ‘spread spectrum clock generation’.

The NB2879A is targeted towards all portable devices with very low power requirements like MP3 players, Notebooks and digital still cameras.

### Features

- Generates an EMI Optimized Clocking Signal at the Output
- Integrated Loop Filter Components
- Operates with a 3.3 V  $\pm$  0.3 V Supply
- Operating Current less than 4.0 mA
- Low Power CMOS Design
- Input Frequency Range: 15 MHz to 30 MHz
- Generates a 1X Low EMI Spread Spectrum clock of the Input Frequency
- Frequency Deviation  $\pm$  1.0%
- Available in TSOP-6 Package (TSOT-23-6)
- Pb-Free Package is Available



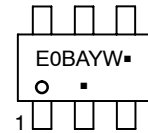
**ON Semiconductor®**

<http://onsemi.com>

### MARKING DIAGRAM\*



TSOP-6  
(TSOT-23-6)  
SN SUFFIX  
CASE 318G



E0B = Specific Device Code  
A = Assembly Location  
Y = Year  
W = Work Week  
▪ = Pb-Free Package

(Note: Microdot may be in either location)

\*For additional marking information, refer to Application Note AND8002/D.

### ORDERING INFORMATION

See detailed ordering and shipping information in the package dimensions section on page 5 of this data sheet.

# NB2879A

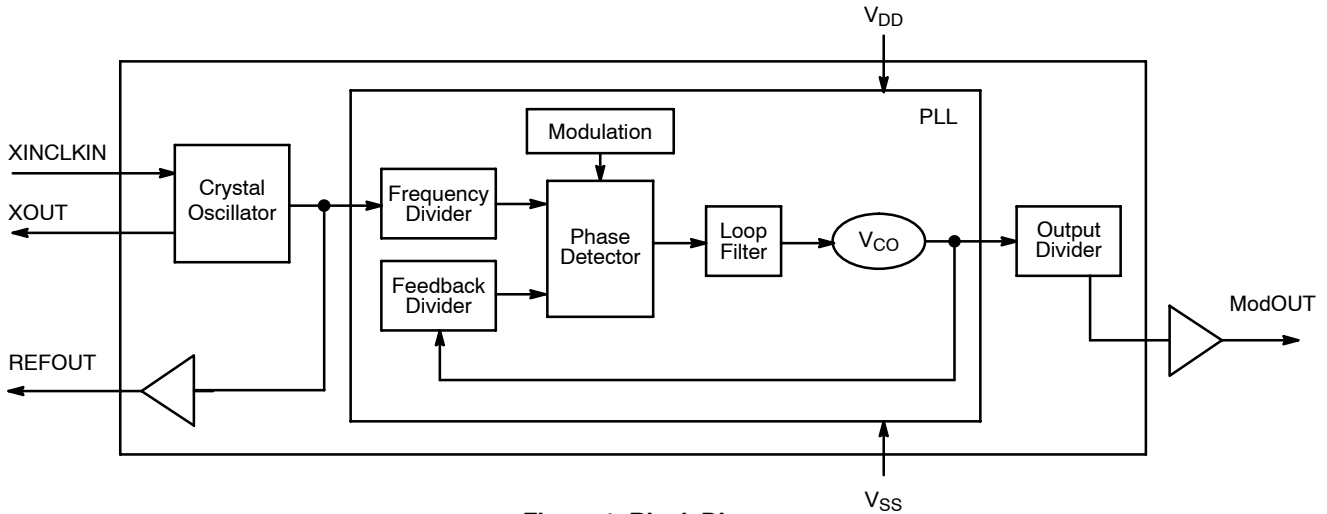


Figure 1. Block Diagram

Table 1. KEY SPECIFICATIONS

| Description                | Specification                                    |
|----------------------------|--|
| Supply Voltages            | $V_{DD} = 3.3 \text{ V} \pm 0.3 \text{ V}$       |
| Frequency Range            | $15 \text{ MHz} < \text{CLKIN} < 30 \text{ MHz}$ |
| Cycle-to-Cycle Jitter      | 300 ps (maximum)                                 |
| Output Duty Cycle          | 40 / 60% (worst case)                            |
| Output Rise and Fall Times | 1.1 ns (maximum)                                 |
| Modulation Equation        | $F_{IN}/640$                                     |
| Frequency Deviation        | $\pm 1\%$  |

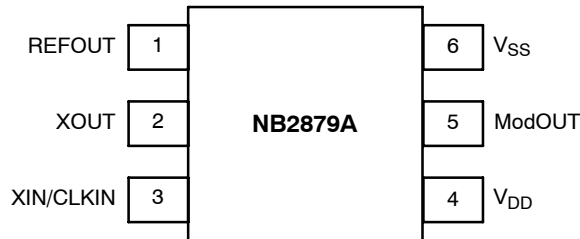


Figure 2. Pin Configuration

Table 2. PIN DESCRIPTION

| Pin # | Pin Name  | Type | Description   |
|-------|-----------|------|---|
| 1     | REFOUT    | O    | Buffered output of the input frequency.   |
| 2     | XOUT      | O    | Crystal connection. If using an external reference, this pin must be left unconnected.  |
| 3     | XIN/CLKIN | I    | Crystal connection or external reference frequency input. This pin has dual functions. It can be connected either to an external crystal or an external reference clock |
| 4     | $V_{DD}$  | P    | Power supply for the entire chip (3.3 V).   |
| 5     | ModOUT    | O    | Spread spectrum clock output.   |
| 6     | $V_{SS}$  | P    | Ground connection.  |

# NB2879A

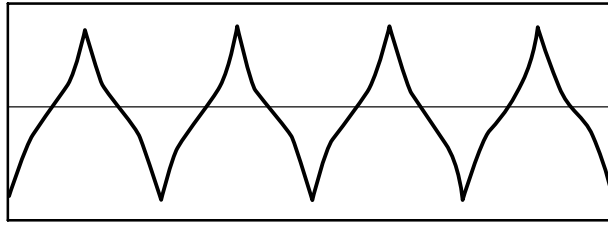


Figure 3. Modulation Profile

Table 3. MAXIMUM RATINGS

| Symbol           | Description                               | Rating       | Unit |
|------------------|---|--------------|------|
| $V_{DD}, V_{IN}$ | Voltage on any pin with respect to Ground | 0.5 to + 7.0 | V    |
| $T_{STG}$        | Storage Temperature                       | -65 to +125  | °C   |
| $T_A$            | Operating Temperature                     | 0 to 70      | °C   |

Stresses exceeding Maximum Ratings may damage the device. Maximum Ratings are stress ratings only. Functional operation above the Recommended Operating Conditions is not implied. Extended exposure to stresses above the Recommended Operating Conditions may affect device reliability.

Table 4. DC ELECTRICAL CHARACTERISTICS (Test Conditions: All parameters are measured at room temperature 25°C)

| Symbol    | Description   | Min       | Typ  | Max            | Unit |
|-----------|---|-----------|------|----------------|------|
| $V_{IL}$  | Input LOW Voltage   | GND - 0.3 |      | 0.8            | V    |
| $V_{IH}$  | Input HIGH Voltage  | 2.0       |      | $V_{DD} + 0.3$ | V    |
| $I_{IL}$  | Input LOW Current   |           |      | -35            | μA   |
| $I_{IH}$  | Input HIGH Current  |           |      | 35             | μA   |
| $I_{XOL}$ | XOUT Output LOW Current (@ 4.0 V, $V_{DD} = 3.3$ V)       |           | 3    |                | mA   |
| $I_{XOH}$ | XOUT Output HIGH Current (@ 2.5 V, $V_{DD} = 3.3$ V)      |           | 3    |                | mA   |
| $V_{OL}$  | Output LOW Voltage ( $V_{DD} = 3.3$ V, $I_{OL} = 20$ mA)  |           |      | 0.4            | V    |
| $V_{OH}$  | Output HIGH Voltage ( $V_{DD} = 3.3$ V, $I_{OH} = 20$ mA) | 2.5       |      |                | V    |
| $I_{DD}$  | Static Supply Current                                     |           |      | 10             | mA   |
| $I_{CC}$  | Dynamic Supply Current (3.3 V, 30 MHz, and 15 pF loading) |           |      | 4              | mA   |
| $V_{DD}$  | Operating Voltage   | 3.0       | 3.3  | 3.6            | V    |
| $t_{ON}$  | Powerup Time (first locked cycle after powerup)           |           | 0.18 |                | mS   |
| $Z_{OUT}$ | Clock Output Impedance                                    |           | 50   |                | Ω    |

NOTE: Device will meet the specifications after thermal equilibrium has been established when mounted in a test socket or printed circuit board with maintained transverse airflow greater than 500 lfm. Electrical parameters are guaranteed only over the declared operating temperature range. Functional operation of the device exceeding these conditions is not implied. Device specification limit values are applied individually under normal operating conditions and not valid simultaneously.

## NB2879A

**Table 5. AC ELECTRICAL CHARACTERISTICS**

| Symbol            | Description                                   | Min | Typ | Max | Unit |
|-------------------|---|-----|-----|-----|------|
| CLKIN             | Input Frequency                               | 15  |     | 30  | MHz  |
| ModOUT            | Output Frequency                              | 15  |     | 30  | MHz  |
| REFOUT            | Output Frequency                              | 15  |     | 30  | MHz  |
| $t_{LH}$ (Note 1) | Output Rise Time (measured at 0.8 V to 2.0 V) | 0.7 | 0.9 | 1.1 | ns   |
| $t_{HL}$ (Note 1) | Output Fall Time (measured at 2.0 V to 0.8 V) | 0.6 | 0.8 | 1.0 | ns   |
| $t_{JC}$          | Jitter (Cycle-to-Cycle)                       |     |     | 360 | ps   |
| $t_D$             | Output Duty Cycle                             | 45  | 50  | 55  | %    |

NOTE: Device will meet the specifications after thermal equilibrium has been established when mounted in a test socket or printed circuit board with maintained transverse airflow greater than 500 lpm. Electrical parameters are guaranteed only over the declared operating temperature range. Functional operation of the device exceeding these conditions is not implied. Device specification limit values are applied individually under normal operating conditions and not valid simultaneously.

1.  $t_{LH}$  and  $t_{HL}$  are measured at capacitive load of 15 pF.

# NB2879A

## ORDERING INFORMATION

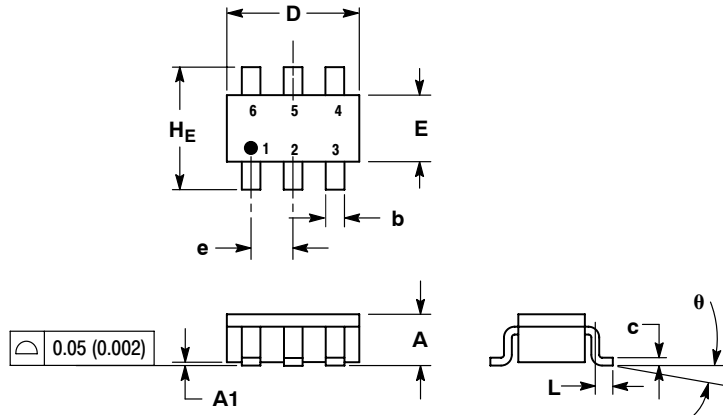
| Device       | Marking | Temperature Range | Package                            | Shipping†        | Availability                                |
|--------------|---------|-------------------|------------------------------------|------------------|---|
| NB2879ASNR2  | E0B     | 0°C – 70°C        | TSOP-6<br>(TSOT-23-6)              | 2500 Tape & Reel | <i>Now</i>                                  |
| NB2879ASNR2G | E0B     | 0°C – 70°C        | TSOP-6<br>(TSOT-23-6)<br>(Pb-Free) | 2500 Tape & Reel | <i>Contact<br/>Sales<br/>Representative</i> |

†For information on tape and reel specifications, including part orientation and tape sizes, please refer to our Tape and Reel Packaging Specifications Brochure, BRD8011/D.

# NB2879A

## PACKAGE DIMENSIONS

### TSOP-6 CASE 318G-02 ISSUE S

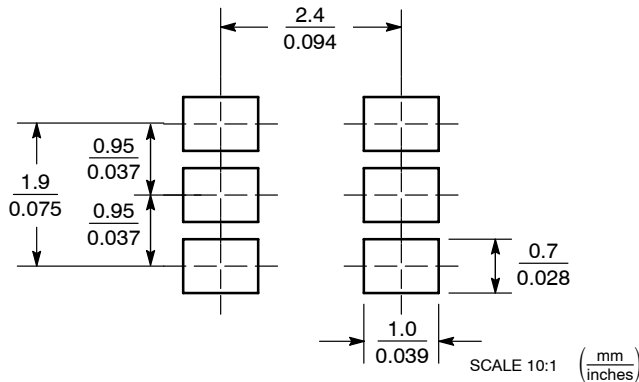


#### NOTES:

1. DIMENSIONING AND TOLERANCING PER ANSI Y14.5M, 1982.
2. CONTROLLING DIMENSION: MILLIMETER.
3. MAXIMUM LEAD THICKNESS INCLUDES LEAD FINISH THICKNESS. MINIMUM LEAD THICKNESS IS THE MINIMUM THICKNESS OF BASE MATERIAL.
4. DIMENSIONS A AND B DO NOT INCLUDE MOLD FLASH, PROTRUSIONS, OR GATE BURRS.


| DIM | MILLIMETERS |      |      | INCHES |       |       |
|-----|-------------|------|------|--------|-------|-------|
|     | MIN         | NOM  | MAX  | MIN    | NOM   | MAX   |
| A   | 0.90        | 1.00 | 1.10 | 0.035  | 0.039 | 0.043 |
| A1  | 0.01        | 0.06 | 0.10 | 0.001  | 0.002 | 0.004 |
| b   | 0.25        | 0.38 | 0.50 | 0.010  | 0.014 | 0.020 |
| c   | 0.10        | 0.18 | 0.26 | 0.004  | 0.007 | 0.010 |
| D   | 2.90        | 3.00 | 3.10 | 0.114  | 0.118 | 0.122 |
| E   | 1.30        | 1.50 | 1.70 | 0.051  | 0.059 | 0.067 |
| e   | 0.85        | 0.95 | 1.05 | 0.034  | 0.037 | 0.041 |
| L   | 0.20        | 0.40 | 0.60 | 0.008  | 0.016 | 0.024 |
| HE  | 2.50        | 2.75 | 3.00 | 0.099  | 0.108 | 0.118 |
| θ   | 0°          | -    | 10°  | 0°     | -     | 10°   |

#### SOLDERING FOOTPRINT\*



\*For additional information on our Pb-Free strategy and soldering details, please download the ON Semiconductor Soldering and Mounting Techniques Reference Manual, SOLDERRM/D.

This product utilizes US Patent #6,646,463 Impedance Emulator Patent issued to Alliance Semiconductor, Dated 11-11-2003.

ON Semiconductor and  are registered trademarks of Semiconductor Components Industries, LLC (SCILLC). SCILLC reserves the right to make changes without further notice to any products herein. SCILLC makes no warranty, representation or guarantee regarding the suitability of its products for any particular purpose, nor does SCILLC assume any liability arising out of the application or use of any product or circuit, and specifically disclaims any and all liability, including without limitation special, consequential or incidental damages. "Typical" parameters which may be provided in SCILLC data sheets and/or specifications can and do vary in different applications and actual performance may vary over time. All operating parameters, including "Typicals" must be validated for each customer application by customer's technical experts. SCILLC does not convey any license under its patent rights nor the rights of others. SCILLC products are not designed, intended, or authorized for use as components in systems intended for surgical implant into the body, or other applications intended to support or sustain life, or for any other application in which the failure of the SCILLC product could create a situation where personal injury or death may occur. Should Buyer purchase or use SCILLC products for any such unintended or unauthorized application, Buyer shall indemnify and hold SCILLC and its officers, employees, subsidiaries, affiliates, and distributors harmless against all claims, costs, damages, and expenses, and reasonable attorney fees arising out of, directly or indirectly, any claim of personal injury or death associated with such unintended or unauthorized use, even if such claim alleges that SCILLC was negligent regarding the design or manufacture of the part. SCILLC is an Equal Opportunity/Affirmative Action Employer. This literature is subject to all applicable copyright laws and is not for resale in any manner.

#### PUBLICATION ORDERING INFORMATION

**LITERATURE FULFILLMENT:**  
Literature Distribution Center for ON Semiconductor  
P.O. Box 5163, Denver, Colorado 80217 USA  
Phone: 303-675-2175 or 800-344-3860 Toll Free USA/Canada  
Fax: 303-675-2176 or 800-344-3867 Toll Free USA/Canada  
Email: orderlit@onsemi.com

**N. American Technical Support:** 800-282-9855 Toll Free  
USA/Canada  
**Europe, Middle East and Africa Technical Support:**  
Phone: 421 33 790 2910  
**Japan Customer Focus Center**  
Phone: 81-3-5773-3850

**ON Semiconductor Website:** [www.onsemi.com](http://www.onsemi.com)  
**Order Literature:** <http://www.onsemi.com/orderlit>  
For additional information, please contact your local Sales Representative